



## PT220B/PT220BX/PT220BXF Lever Transmitter

ISO9001:2000



### Features & Structure

High accuracy & stability

Block-proof structure, measurement of viscous substance accepted

High resistant material available, suitable for deep-etching medium

Incorporate & detachable transmitters available

High response frequency, various of output signals

Multipul installation methods

PT220B series level transmitter equipped with the high-performance sensor chip enables a low power consumption.

Throw-in type, easy operation. It is ideal in the application of level measurement for water plant, sewage treatment works, towers, water tank, coal mine, ships, ter wave exploration.

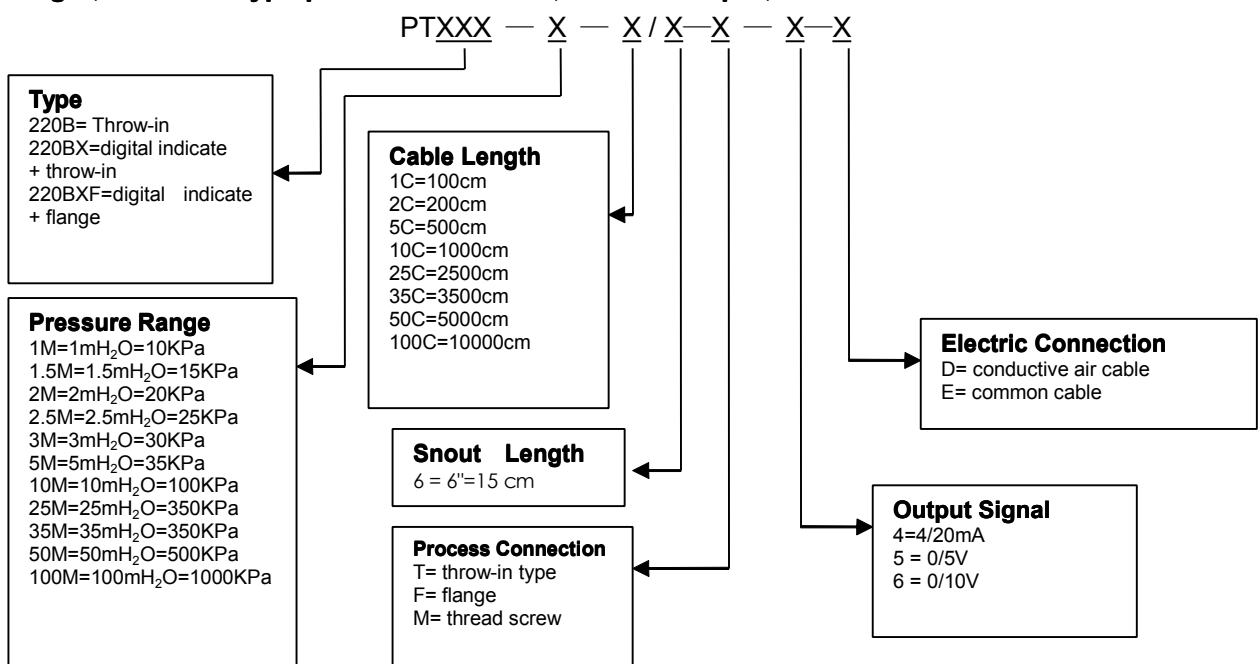


### Specification

Range	0~1mH <sub>2</sub> O~200mH <sub>2</sub> O
Accuracy	±0.25%FS, ±0.5%FS
Excitation	24Vdc (10-36Vdc)
Output Signal	4~20mA; 0~5V; 0~10V;
Repeatability	±0.2%FS
Load Resistance	4000~25000 ohms
Shunt Calibration	80%±1%
Overload pressure	1.5×FS
Electric Connection	wire lead
Process Connection	Throw-in type, Flange fission throw-in type, Thread screw, customer design

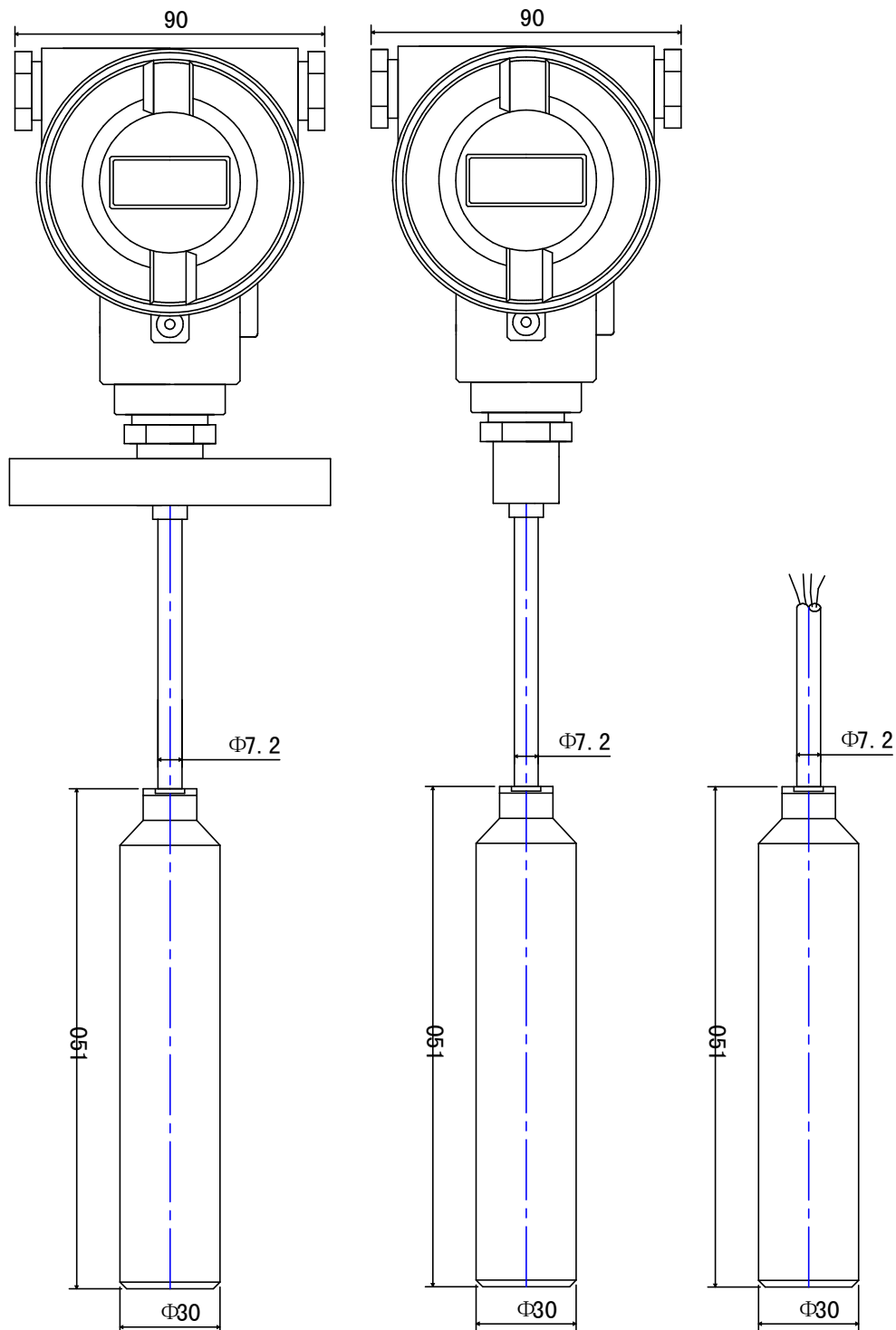
### Ordering Guide

**PT220B-1M- 1C – T – 4 – D** PT220B level transmitter, 1mH<sub>2</sub>O pressure range, 100cm wire length, Throw-in Type process conection, 4-20mA output, conductive air cable





### Dimension Diagram



### Electric Connection

Output type	Function	Color	Output type	Function	Color
Output: 1-5V 0-5V; 0-10V	Signal +	Blue	Output: 4-20mA	Excitation +	Red
	Signal -	Green		Excitation -	Blue
	Excitation +	Red	—	—	
	Excitation-	Yellow	—	—	